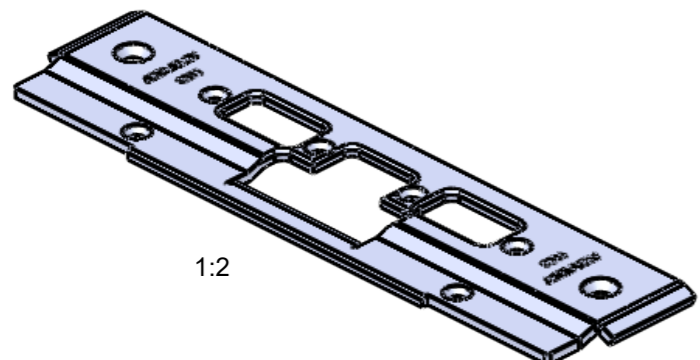
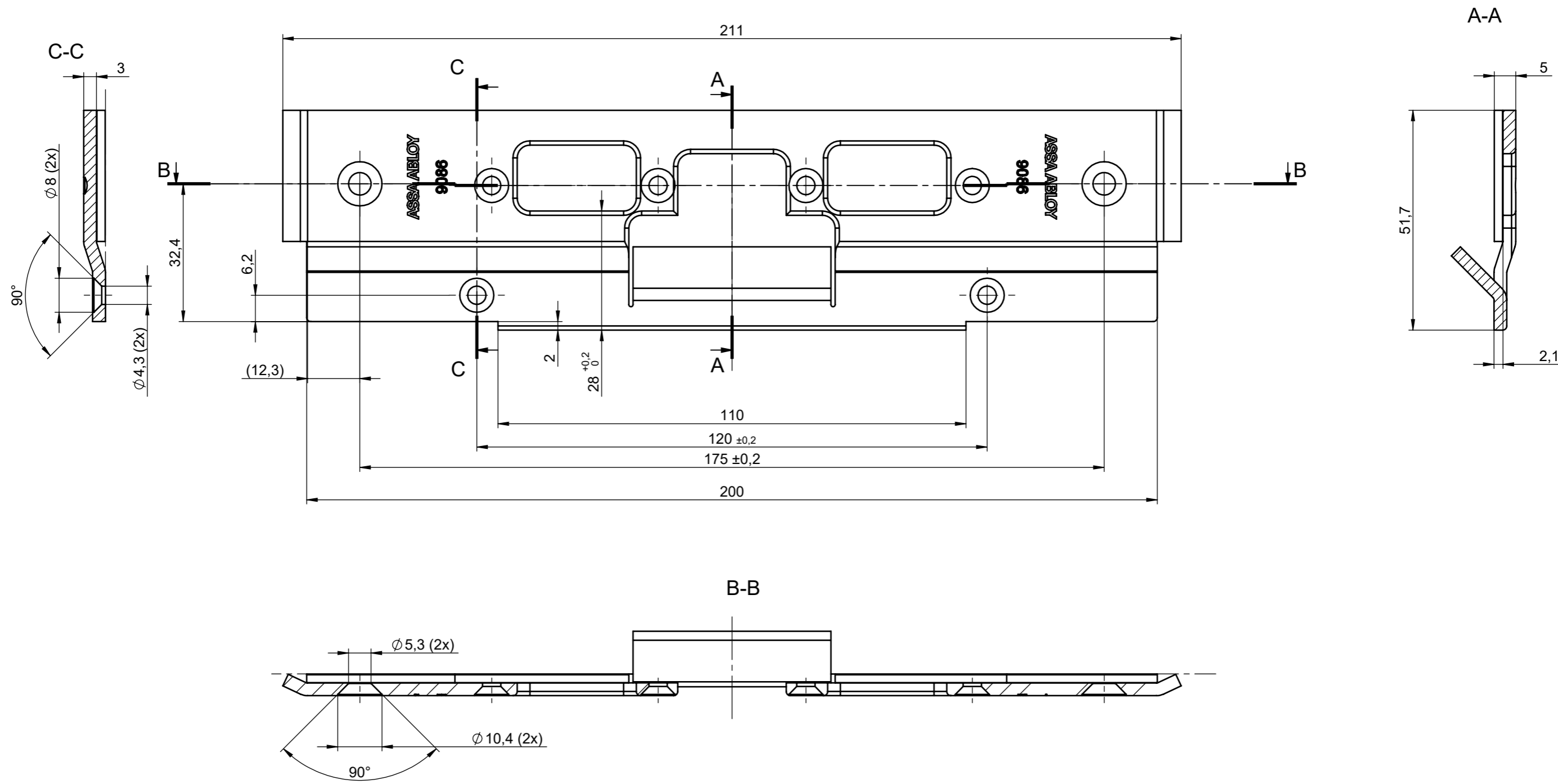


This work is copyright and no part may be reproduced, by any process, nor may any other exclusive right be exercised without the permission of ASSA ABLOY.



E1	Tin Thickness	08.01.2019	ralsch	ISO 13715	Toleranz allgemein / General Tolerance	
State	Description	Date	Name	$\sqrt{\begin{matrix} -0,2 \\ +0,2 \end{matrix}}$	abweichend von/ divergent from ISO 2768 Toleranz allgemein / General Tolerance abweichend von/ divergent from ISO 2768	
Inspection Dimension				Name local language Schliessblech ASSA 9086		Tolerances ISO 2768 m ... 3 ... 6 ... 30 ... 120 ... 400 ... 1000 ± 0.1 ± 0.1 ± 0.2 ± 0.3 ± 0.5 ± 0.8
Surface:				Material: Material <not specified>		General tolerance: ISO 2768-mK
Volume:	Weight:	Surface area:	Created (YYYY-MM-DD):	Designed by:	Drawn by:	Scale:
26349.32 mm <sup>3</sup>	202.89 gram	20798.38 mm <sup>2</sup>	2018-09-24	ralsch	eliega	1:2 (A3)
<b>ASSA ABLOY</b> ASSA ABLOY Sicherheitstechnik GmbH				Faceplate Faceplate 9086 Customer -----44G..-01		Alternate ID <b>960.00-00-66-1-1000</b> Document ID <b>D000906265-004</b>
					Rev.:	<b>4</b>