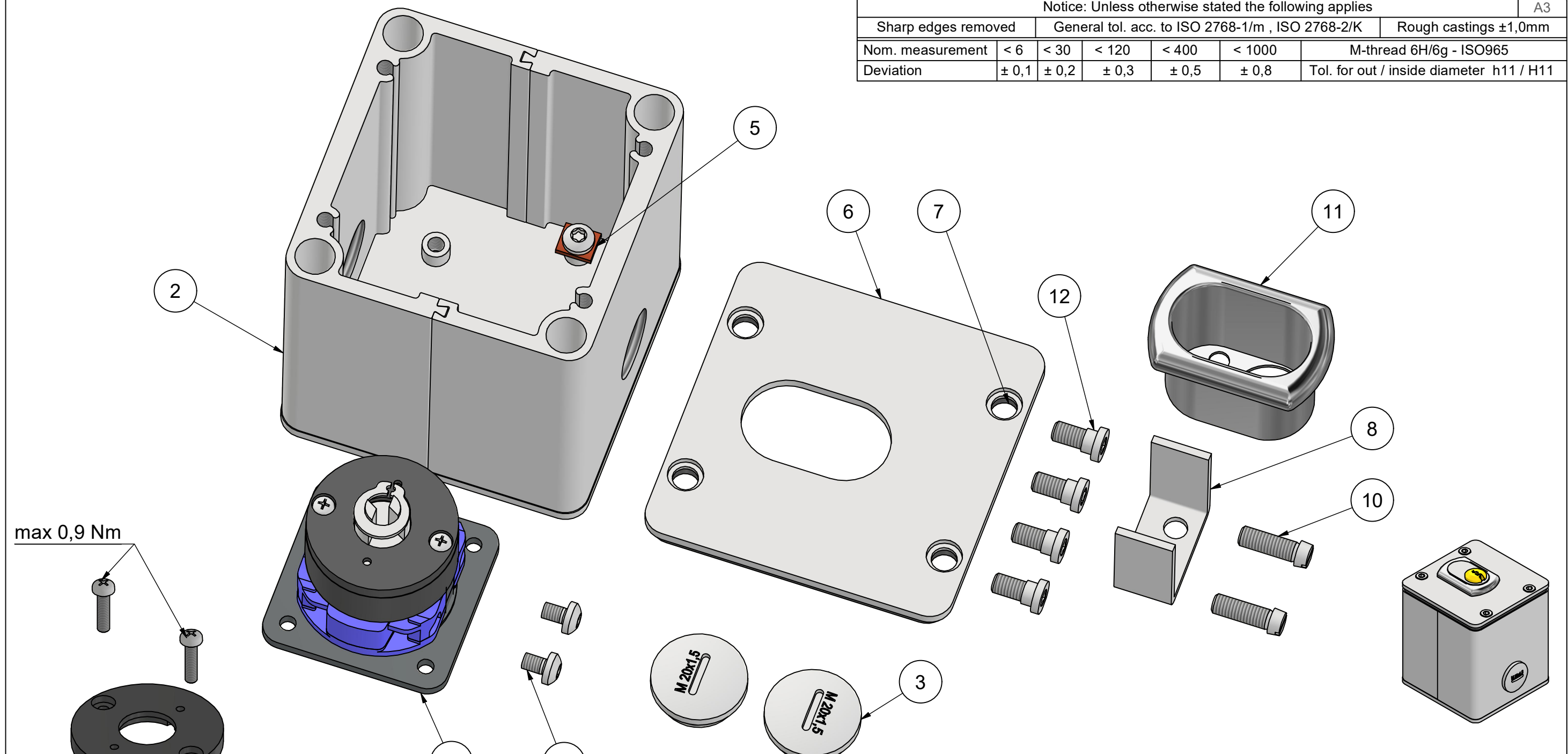


This document is our property and shall not be used for manufacturing or communication to any other person or company.
 www.rocaindustry.com
 info@rocaindustry.com

Notice: Unless otherwise stated the following applies

A3

Sharp edges removed	General tol. acc. to ISO 2768-1/m , ISO 2768-2/K				Rough castings ±1,0mm
Nom. measurement	< 6	< 30	< 120	< 400	< 1000
Deviation	± 0,1	± 0,2	± 0,3	± 0,5	± 0,8
					M-thread 6H/6g - ISO965
					Tol. for out / inside diameter h11 / H11



max 0,9 Nm

Grip ring BN 832

Turning device type 2
943511

Important to keep this part of the switch intact while mounting the turning device.

Pos	Qty	Part number	Description	Item number
12	4	10002122	Hex Socket Cap Screw M5	
11	1	10001341	WH-CC 05-CP	943290
10	2	993527	Screw M5 x 20 Din 920	993527
9	3	ISO 14583 - M4 x 6 - 4.8	Hexalobular socket pan head screws	
8	1	10002054	Lock bow	
7	1	10002076	Self adhesive rubber gasket	
6	1	10002075	Switch box cover Cylinder	
5	1	10002074	Ground clamp	
4	2	10002073	O-ring M20	
3	2	10.2015PA7035	Screw plug M20x1,5	
2	1	10002060	Switch box profile assembly 80	
1	1	CA10-A200-Z_FP	Switch CA10 A200	

Material	Colour	Scale	Date
Surface treatment	Volume	1 : 1	2022-05-03
Design	Checked	Replaces	Item no.
AC		Copix 10009304	943503
Switch box 812002			Status
			A - Only for price inquiry B - Only for production of tooling and samples P - Approved for production
			B
			Rev.
			1
			Drawing no.
			10002110

